



WF 36 · WF 37

UK: WALL MOUNTING INSTALLATION MANUAL

Edition 1

April 2023

WESTFIRE

DANSK INGENIØRKUNST

Mounting the stove on a wall

Place the wall bracket on the wall at the desired height. Allow for a 215mm distance as a minimum from the floor to the bottom of the mounted wall bracket.

Mark the 8 holes in the wall bracket on the wall and drill the holes. It is recommended to use wall bolts of steel or steel anchor bolts. These must be able to carry the weight of the 85kg stove.



Steel Wall Bolt



Steel Wall Anchor Bolt

If the flue duct is connected to a rear smoke outlet, mark the large hole in the wall bracket, and drill the hole. The same applies if a fresh air kit option is to be used.

Secure the wall bracket to the wall with the bolts or screws. It is very important to ensure that the bracket is completely level.

Important! The wall fitting may not be screwed into brick joints.

If the flue duct is connected to a rear smoke outlet, remove the cover plate on the stoves rear heat shield.

Lift the stove up onto the four hooks on the wall fitting ensuring that the flue collar and flue pipe are sealed.

Hearth

The stove should have a hearth below the stove in accordance to Building Regulations Document J.

We recommend 300mm in front of the stove and 150mm to the sides. The hearth plate being a minimum of 12mm thick of a non-combustible material.

Chimney

NOTE: A chimney height of not less than 4.5 metres measured vertically from the outlet of the stove to the top of the chimney should be satisfactory. Alternatively, the calculation procedure given in BS5854:1980 may be used as the basis for deciding whether a particular chimney design will provide sufficient draught.

The outlet from the chimney should be above the roof of the building in accordance with the provisions of Building Regulations Approved Document J.

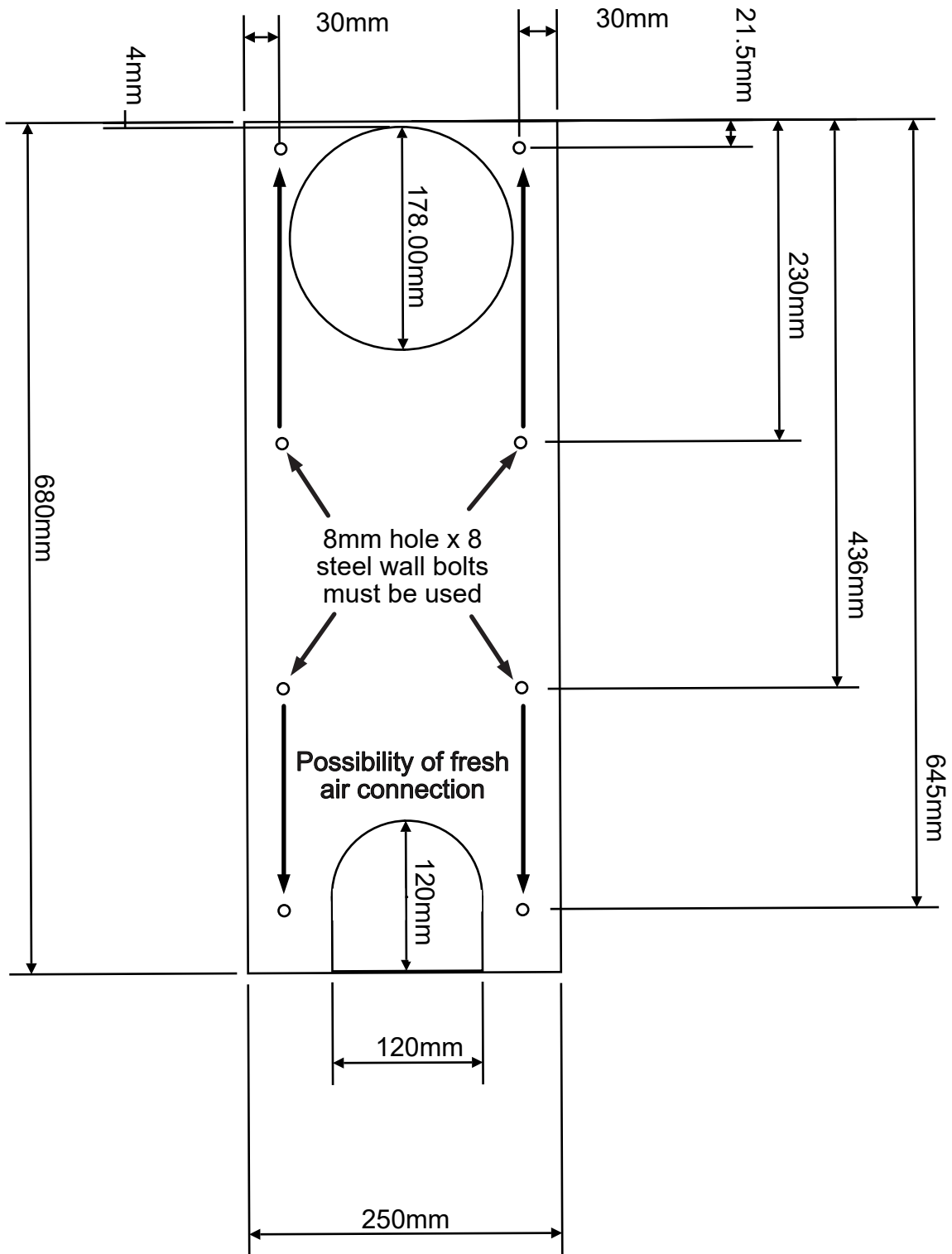
If there is no existing chimney then either a prefabricated block chimney in accordance with Building Regulations Approved Document J or a twin walled insulated stainless steel flue to BS1856-1. These chimneys must be fitted in accordance with the manufacturer's instructions and Building Regulations.

Westfire Aps recommend the use of a solid fuel flue lining system for all installation into existing chimneys.

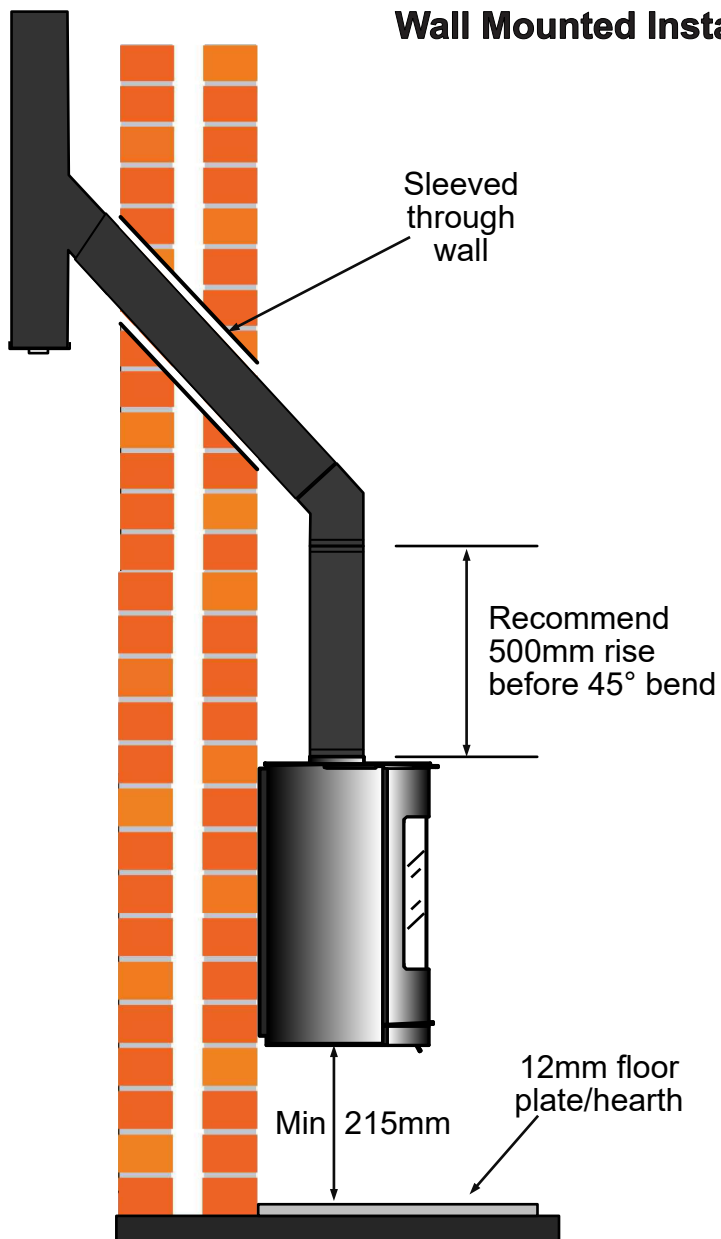
The stove should only be removed from its mounting by a suitably qualified heating engineer and the stove must be commissioned upon its re-installation.

Wall Hung Bracket WESTFIRE Uniq 36/Uniq 37

TOP

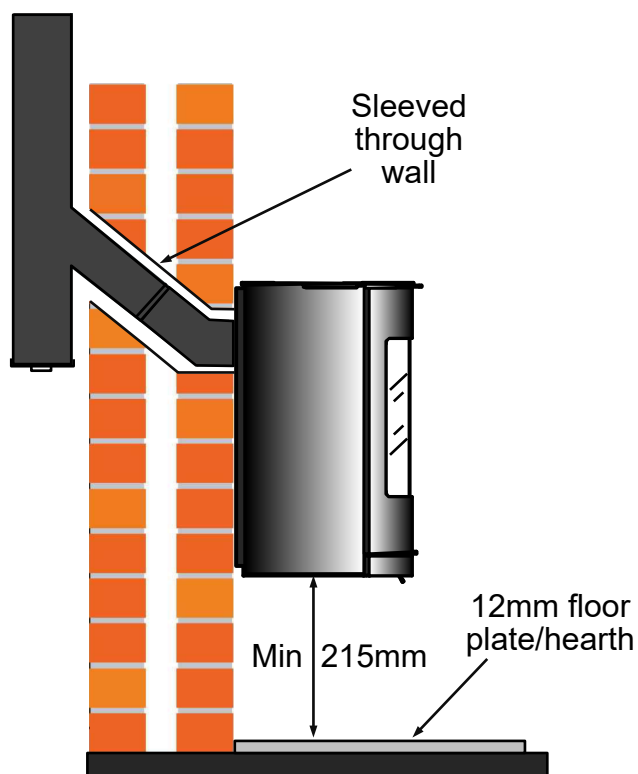


Wall Mounted Installation Examples



TOP EXIT

This is the recommended option to flue a wall mounted stove.



REAR EXIT

This option to flue a wall mounted stove is permitted, however a horizontal flue run through the wall of over 150mm is not.